

**HERMETICALLY-SEALED METAL CASE, FEED THROUGH,
PAPER/PAPER-PLASTIC-FILM CAPACITORS
TO MILITARY SPECIFICATION MIL-C-11693/07**

MIL STYLE CZ23, CZ24

PART NUMBERING SYSTEM
CZ23
CZ24
B
K
C
473

CAPACITANCE. THIS IS EXPRESSED IN PICOFARADS. THE FIRST TWO DIGITS ARE SIGNIFICANT FIGURES. THE THIRD IS THE NUMBER OF ZEROS.

WORKING VOLTAGE. C = 200 VDC
E = 400 VDC
F = 600 VDC

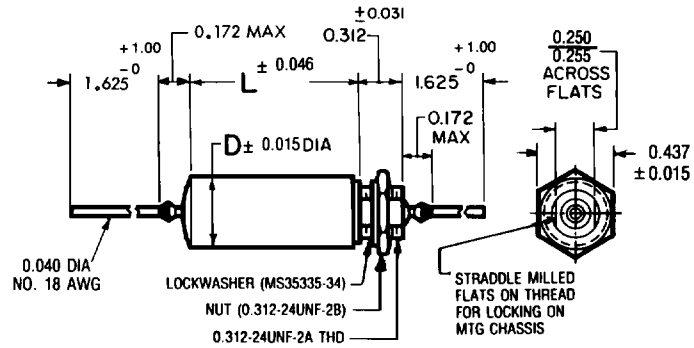
CHARACTERISTIC. E = -55°C TO +85°C
K = -55°C TO +125°C

CURRENT. B = 10 AMPERES

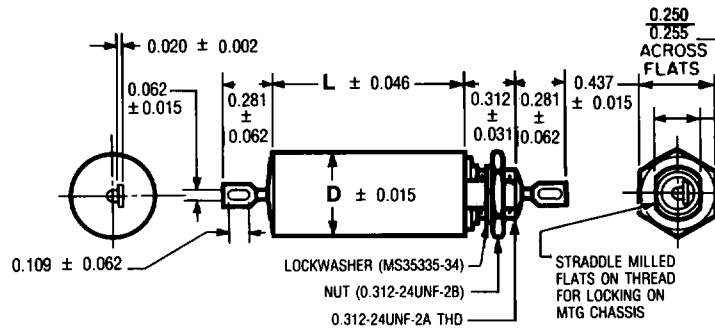
STYLE. CZ23 = WIRE LEADS
CZ24 = TAB TERMINALS

THIS INFORMATION HAS BEEN ABSTRACTED FROM MIL-C-11693/07.

OUTLINE DRAWINGS
CIRCUIT DIAGRAM

STYLE CZ23


Dwg. No. A-6539B

STYLE CZ24


Dwg. No. A-2273

MILLIMETER CONVERSION TABLE

Inches	MM	Inches	MM	Inches	MM
0.005	0.127	0.188	4.775	0.670	17.01
0.015	0.381	0.281	7.137	0.750	19.05
0.031	0.787	0.312	7.924	0.825	23.49
0.032	0.813	0.375	8.255	1.125	28.57
0.046	1.168	0.400	10.16	1.375	33.65
0.062	1.574	0.437	11.09	1.625	41.27
0.109	2.778	0.438	11.12	1.750	44.45
0.125	3.175	0.500	12.70	1.875	47.62
0.144	3.657	0.562	14.27	2.125	53.97
0.156	3.962	0.605	15.36	2.375	60.32
0.172	4.369	0.624	15.84		

STANDARD RATINGS

μF	Mil Type Designation				Dimension (Inches)	
	Wire Lead Terminals		Tab Terminals			
	Char. E	Char. K	Char. E	Char. K	D	L
200 VOLTS D-C						
.047	CZ23BEC473	CZ23BKC473	CZ24BEC473	CZ24BKC473	.400	0.875
.1	CZ23BEC104	CZ23BKC104	CZ24BEC104	CZ24BKC104	.400	1.125
.22	CZ23BEC224	CZ23BKC224	CZ24BEC224	CZ24BKC224	.562	1.125
.47	CZ23BEC474	CZ23BKC474	CZ24BEC474	CZ24BKC474	.562	1.875
1.0	CZ23BEC105	CZ23BKC105	CZ24BEC105	CZ24BKC105	.750	2.125
400 VOLTS D-C						
.1	CZ23BEE104	CZ23BKE104	CZ24BEE104	CZ24BKE104	.562	1.125
.22	CZ23BEE224	CZ23BKE224	CZ24BEE224	CZ24BKE224	.562	1.875
.47	CZ23BEE474	CZ23BKE474	CZ24BEE474	CZ24BKE474	.750	2.125
600 VOLTS D-C						
.0047	C223BEF472	C223BKF472	C224BEF472	C224BKF472	.400	0.750
.01	CZ23BEF103	CZ23BKF103	CZ24BEF103	CZ24BKF103	.400	0.750
.047	CZ23BEF473	CZ23BKF473	CZ24BEF473	CZ24BKF473	.400	1.375
.1	CZ23BEF104	CZ23BKF104	CZ24BEF104	CZ24BKF104	.562	1.375
.22	CZ23BEF224	CZ23BKF224	CZ24BEF224	CZ24BKF224	.670	1.875
.47	CZ23BEF474	CZ23BKF474	CZ24BEF474	CZ24BKF474	.750	2.375